

## Ristorre™ Metallo™ | SHOWER TOWER



**Masculine and robust, the Ristorre™ Metallo™ shower features a built-in mirror and a generous glass shelf.**

#### FEATURES:

- Height-adjustable rain shower head
- Multi-function hand shower with 60" hose
- 6 body sprays
- Temperature-check spout
- Thermostatic control valve
- Shower diverter to control water between shower head, hand shower, body sprays and temperature-check spout
- Built-in anti-fog mirror
- Tempered Glass accessory shelf
- Stylish polished and satin chrome finish



### Ristorre™ Metallo™

MODEL NUMBER:  
EC33

EXTERIOR DIMENSIONS:  
55<sup>7</sup>/<sub>8</sub>" L x 12<sup>3</sup>/<sub>4</sub>" W  
x 2<sup>1</sup>/<sub>2</sub>" D



# Ristorre™ Metallo™ SHOWER TOWER

**EC33** Metallo™ Shower Tower (Optional Spout Included)

### INSTALLATION NOTES

Refer to installation instructions included with fixture before beginning installation. Please confirm product availability and specifications before commencing with any installation work.

PRODUCT SPECIFICATIONS AND AVAILABILITY ARE SUBJECT TO CHANGE WITHOUT NOTICE.

### Technical Specifications

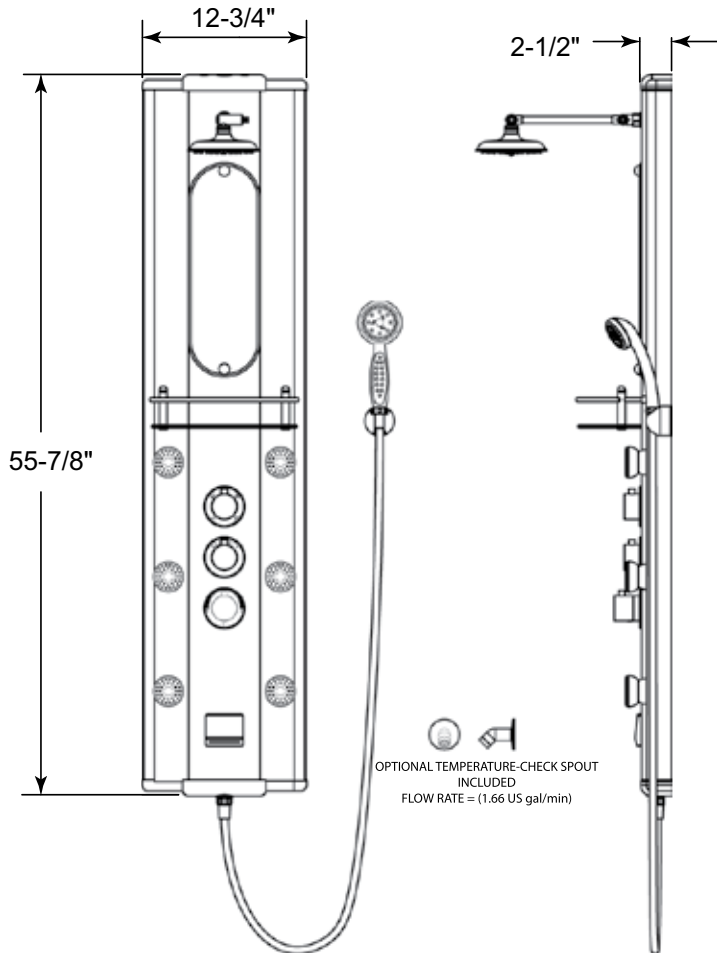
#### DIMENSIONS

55-7/8" L x 12-3/4" W x 2-1/2" D  
(1419 mm) L x (1905 mm) W x (63.5 mm) D

#### PRODUCT WEIGHT

26 lb. (12 kg)

This is a wall mounting shower tower bathroom fixture.



#### Product Shown:

Ristorre™ Metallo™ Shower Tower, Model: EC33

Minimum Working Water Pressure		21.76 psi	(1.5 bar)
Maximum Working Water Pressure		72.52 psi	(5.0 bar)
Recommended Working Water Pressure		43.51 psi	(3.0 bar)
Maximum Working Water Temp.		140-158° F	(60 – 70° C)
Minimum Working Water Temp.		41-68° F	(5-20° C)
Recommended Working Temp.		100° F	(38° C)
Under water pressure at 21.76 psi (1.5 bar)	Flow Rate of Hand Shower	1.59 US gal/min	(6.0 L/min)
	Flow Rate of Wall Mount	1.59 US gal/min	(6.0 L/min)
	Flow Rate of Body Jet	1.98 US gal/min	(7.5 L/min)
	Flow Rate of Bath Spout	1.98 US gal/min	(7.5 L/min)